



BAT86-160-160 ATEX LED Floodlight 160W

Protection mode:

Type of protection: Ex II2 G Ex d IIB T5-T4 Gb
Ex II2 D Ex tb IIIC T95°C – T130°C Db IP66

Class of temperature: T5-T4

Protection degree: IP66

Ambient Temp : -40/+40°C (T5), -40/+55°C (T6)

Zones : 1-2-21-22

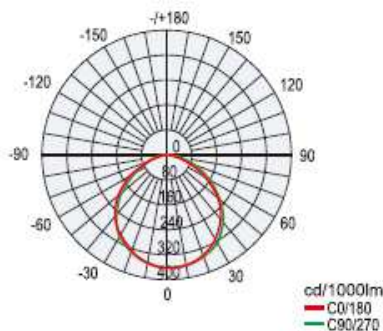


Reference:

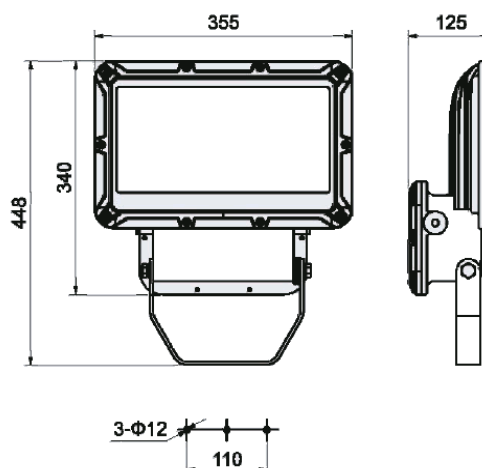
BAT86-160-160-G Floodlight 160W LED, fixation type: fixed.

BAT86-160-□□

Rated luminous flux
120W LED: 11000lm
160W LED: 15000lm



Technical drawing:



Conformity to standards	EN 60079-0:2009, EN 60079-1:2007, EN 60079-31:2009 IEC 60079-0:2011, IEC 60079-1:2007, IEC 60079-31:2008
Material	
Enclosure	Copper free aluminium, powder coated surface, yellow RAL1021
Glass cover	Toughened glass, stands 4J impact
Exposed fastener	Stainless steel
Lamp	
Lamp specification	LED
Lamp power (W)	160W
Rated voltage	100-300VAC 50/60Hz
Earthing protection	M5 (internal & external earth bolts)
Terminal	3x 1,5-4mm ² (L+N+PE)
Mounting	Fixed type
Cable entries	2x M25 x 1,5 plug
Cable gland	DQM-II (Ex d) or DQM-III (Ex d) is recommended
Weight	8,4kg