



Protection mode:

Type of protection: II 2 GD EEx d IIB Ex tD A21;
Exd[i.], Ex tD[i.D] A21
Class of temperature: T6-T5-T4-T3
Protection degree: IP66 / 67*
Zones : 1-21-2-22

Description:

The EJB enclosures are rectangular shaped and have the cover with flat joint which is fixed by hexagonal head screws.

Standard powder epoxy painting, like RAL 7005.

To contain terminals, contactors, switches, transformers, capacitors, PLC and other electric, electronic equipment and I.S. devices.



Technical data:

Materials:

Body and cover: aluminium alloy.
Screws: stainless steel.
Silicone grease IP 66.

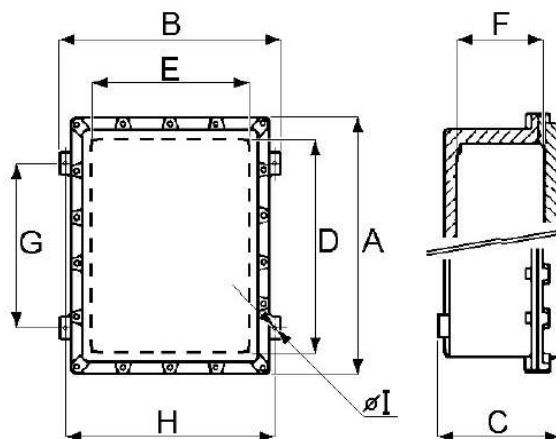
Threads:

ISO7/1 (UNI6125)
NPT (ANSI B1.20.1)
Metrica x1.5 (ISO 261)
PG (DIN 40430)

On request:

*IP 67 protection with o-ring.
Galvanized steel or stainless steel hinges.
Galvanized steel equipment plate.
Push buttons, pilot light, selector switches.
Breathing / draining valve.
Wiring.
Other epoxy painting colors different by the standards.
Inhibiting treatment for salt mist.
Cableglands for armoured cable or non armoured cable
GOST Certification

Technical drawing:





Dimensions table:

Type	Dimensions (mm)						Fixings (mm)		
	External			Internal					
	A	B	C	D	E	F	G	H	∅I
EJB0	196	128	144	140	75	105	133	108	8
EJB1	218	178	141	155	115	110	148	158	8
EJB2A	223	226	150	160	160	130	157	206	8
EJB4A	260	226	176	200	160	145	188	206	8
EJB6A	311	216	170	250	150	130	230	196	8
EJB8A	375	270	200	300	200	155	282	250	10
EJB8B	375	270	234	300	200	195	282	250	10
EJB9A	387	226	179	330	160	145	316	206	8
EJB10A	452	350	207	370	260	165	345	320	9
EJB10B	452	350	261	370	260	220	345	320	9
EJB11	489	415	182	400	320	135	363	385	10
EJB11A	489	415	222	400	320	175	363	385	10
EJB11B	489	415	269	400	320	220	365	385	10
EJB13A	510	318	259	430	230	220	398	290	10
EJB14A	580	336	219	500	250	180	473	306	10
EJB15A	581	460	280	500	350	215	462	430	11
EJB17A	662	494	377	570	400	315	550	464	11
EJB17Q	600	640	325	500	500	265	395	595	11
EJB18A	735	535	281	640	430	215	590	505	11
EJB18B	735	535	388	640	430	315	590	505	11
EJB20	915	670	310	800	550	240	697	630	14
EJB20A	915	670	463	800	550	380	697	630	14