



GUB-E. Enclosure with extension

Protection mode:

Type of protection: II 2 GD EEx d IIC
EEx d [ia] IIC
Class of temperature: T6-T5-T4-T3
Protection degree: IP 65 / IP 67*

Description:

The GUB-E enclosures are square shaped, have the extension (E) and a blind threaded cover.
Technical sheets of GUB-W and GUB-WE show these enclosures having the cover with porthole.
To contain electric, electronic equipment and I.S. devices.



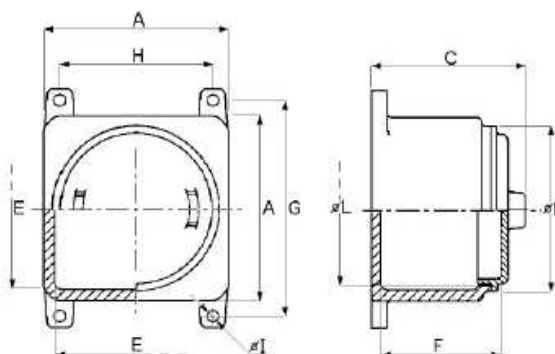
Technical data:

Ambient temperature:
-20 +60 °C (+40 / +50 / +60 °C).

Materials:
Body and cover: aluminium alloy.
Screws: stainless steel.

On request:
*IP 67 protection with o-ring.
Galvanized steel equipment plate.
Breathing / draining valve.
Other epoxy painting colours .
Inhibiting treatment for salt mist.

Technical drawing:



Type	Dimensions (mm)						Fixing (mm)		
	External			Internal			G	H	ØI
	A	C	ØD	E	ØL	F			
GUB-E 0	150	255	136	125	102	215	178	125	2 X 8
GUB-E 0H	150	295	136	125	102	255	178	125	2 X 8
GUB-E 1	200	300	189	170	146	255	228	178	2 x 10
GUB-E 1H	200	340	189	170	146	295	228	178	2 x 10
GUB-E 3	250	385	231	225	190	335	285	228	4 x 10
GUB-E B3L	360	410	348	325	300	345	395	318	4 x 10
GUB-E 3L	360	500	348	325	300	435	395	318	4 x 10
GUB-E 4	450	545	437	410	386	470	485	410	4 x 10
GUB-E 4A	450	475	437	410	386	395	485	410	4 x 10