



GUB/WE.-TVCC Camera housing

Protection mode:

Type of protection: II 2 GD - EEx d IIC
 Classe of temperature: T5 / 100°C
 Protection degree: IP 65



Description:

Camera housing GUB/WE.-TVCC series are studied to contain the modern compact cameras. The camera is mounted on a rail allowing the regulation of the position axially. The enclosures are equipped with an anti-condense resistance (115/230Vac 50/60Hz). Articulated support included for the position of the housing.

Technical data:

Ambient temperature:
 -20 +60 °C (+40°C)

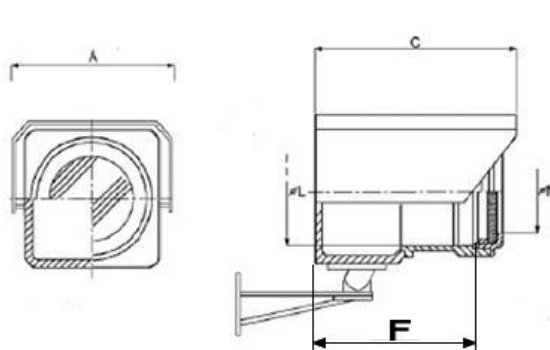
Materials:

Body and cover: aluminium alloy.
 Porthole: thermoresistant tempered glass.
 Protection roof: aluminium plate.
 Articulated support: aluminium alloy.
 Screws: stainless steel.

On request:

Different number and disposition of lead-in.
 Camera TVCC.

Technical drawing:



Dimensions table:

Type	Cables Entry	Dimensions (mm)					Fixing (mm)		
		A	C	øL	øM	F	G	H	øI
GUB / WE 0H - TVCC	2 x 1/2"	180	300	102	79	235	40	85	8
GUB / WE 1H - TVCC	2 x 1/2"	230	340	148	121	277	40	85	8
GUB / WE 3 - TVCC	2 x 1/2"	280	390	192	160	318	40	85	8