



## DXN3 32A

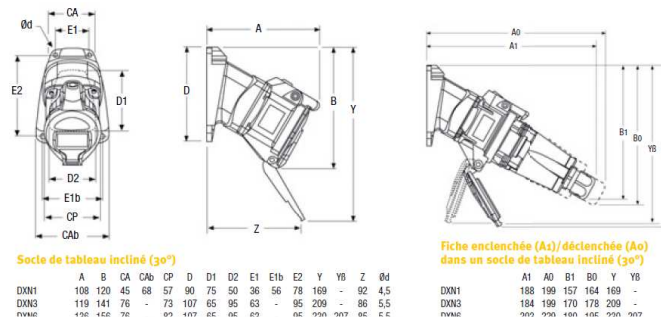
### Protection mode:

Type of protection: II 2 GD EEx/ ed IIC DIP A21  
 Class of temperature: T6-T5  
 Protection degree: IP 66 / IP 67



### Technical data:

- Rated current (with wiring according to standard) 32 A
- Maximum voltage 750 V
- IP protection lid closed IP66/IP67
- IP protection connected plug IP66/IP67
- Resistance to shocks IK08
- Flexible wiring (min - max) 2.5 - 10 mm<sup>2</sup>
- Stranded wiring (min - max) 2,5 - 16 mm<sup>2</sup>
- Other wiring on request:
- Keying positions 24
- Protection mode de
- ATEX zones 1 & 2, 21 &



### Socket-outlet (female)



Voltage 50Hz	Polarity	Part N°
20-24V	2P	25 34 08A
110-130V	1P+N+E	25 34 035
220-250V	1P+N+E	25 34 015
380-440V	3P+E	25 34 013
380-440V	3P+N+ E	25 34 017
480-500v	3P+E	25 34 093
480-500V	3P+N+E	25 34 097

### Inlet (male)



Voltage 50Hz	Polarity	Part N°
20-24V	2P	25 38 08A
110-130V	1P+N+E	25 38 035
220-250V	1P+N+E	25 38 015
380-440V	3P+E	25 38 013
380-440V	3P+N+ E	25 38 017
480-500v	3P+E	25 38 093
480-500V	3P+N+E	25 38 097

### Boxes

Ex cable gland included



Wall box poly 30°  
 25 3A B53      10-14mm

### Handle

Ex cable gland included



Straight poly  
 M20    25 3A 753      10-14mm

### Socket with auxiliary contacts (550V max)

With 2 auxiliary contacts (5A/550V)      Ref Socket +972



### Inlet with auxiliary contacts (550V max)

With 2 auxiliary contacts (5A/550V)      Ref Inlet +972



Options:      \*Wall box poly 70° on request      Accessories and others products on request.