



EFD..-V-.. Multi Light enclosure series

Protection mode:

Type of protection: EX II 2GD EEX d IIB
 Class of temperature: T6
 Protection degree: IP65
 Ambient Temp : -50/+60°C*
 Zones : 1-21-2-22
 Certificate: BVI 09 ATEX 0004



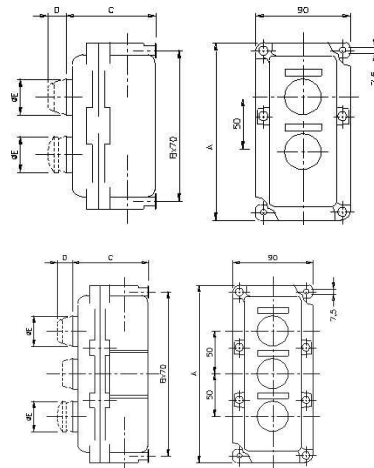
Description:

Series EFD made of aluminium light alloy, with external bolts in stainless steel and RAL 7000 epoxy vinyl coating, are available in accord to all different requirements because of their big choice of control and signalling units, complete of external accessories (chain, hammer, glass stop ring, etc) in stainless steel and RAL 3000 external epoxy vinyl coating.

Technicals data:

Materials	Body and cover aluminium alloy Screws in stainless steel
Inhibiting treatment	Standard epoxy painting Grey RAL7000
Electrical elements	
Rated Insulation voltage	Ui 660V (CEI 60947-5-1) 300V (CSA C22-2 n,14) lith 10A
Dielectric strenght	3KV (1s)
Insulation resistance	2 Mohm min (500VCC)
Initial contact resistance	<=25m. Ohm
Short circuits protection	Fuses gl 10A 500V 10.3 x 38 II 100KA
Terminals marking	EN 60079-0(2006), EN 60079-1(2007), EN 61241-0(2006), EN 61241-1(2004)
Operation frequency	1800 operations/hours maxi
Utilization categories	AC15 Voltage(V)-24-130-230-400 Current(A) 10-6.5-4- 2.5 DC13 Voltage (V) -24-110 Current (I) -1.5-0.5

Technical drawing:



*With incandescent lamps		
Gas	Dust	Tamb
T6	T85°C	-50/ +40°C
T5	T100°C	-50/ +50°C
T4	T135°C	-50/ +60°C

*Commands units only		
Gas	Dust	Tamb
T6	T85°C	-50/ +60°C

Type	Eléments	Cables entry		Dimensions			Weight (g)
		ø	Nbres	A	B	C	
EFD2-V..	2	3/4"	2	156	136	87	685
EFD3-V..	3	3/4"	2	206	186	187	890
EFD4-V..	4	3/4"	2	256	286	82	480

References:

EFD..-V-..-...*

2 lights or
3 lights or
4 lights

*Light color :
B : Blue
G : Green
R : Red
W : white
Y : Yellow

Examples EFD2-V-R-Y (for red, yellow)
EFD3-V-Y-R-G (for yellow, red, green)
EFD4-V-G-W-B (for white, green, blue)