



ETS 60 SIREN ATEX

Protection mode:

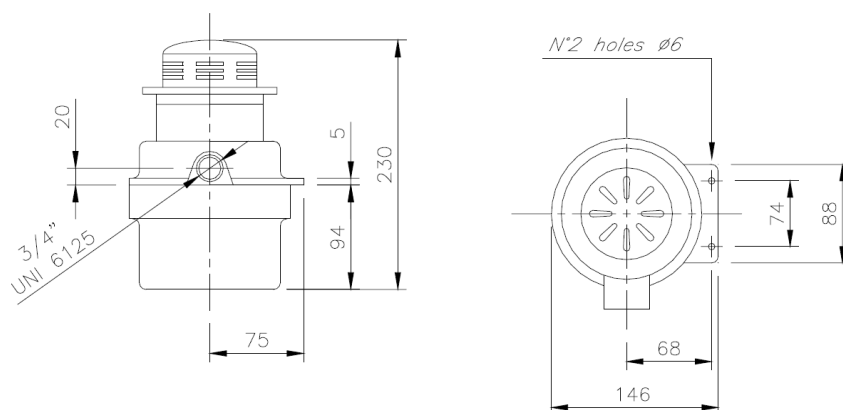
Type of protection: II 2GD – Ex d IIC T6-Ex tD A21 IP65 T85°C
 Class of temperature: T6
 Protection degree: IP65
 Zones : 1-2-21-22



Description:

Enclosure in light alloy. RAL 7000 external epoxy coating.

Technical drawing:



Dimensions table:

Type	Voltage Vac - dc	Absorbed power VA	Sound level in DB		Weight (kg)
			1 mt	3 mt	
ETS 60/1	24	120	100	90	2.4
ETS 60/2	48	120	100	90	2.46
ETS 60/3	110	120	100	90	2.44
ETS 60/4	220	120	100	90	2.46