



EVF Fluorescent Lamp Atex

Protection mode:

Type of protection: II 2 GD EEx d IIC
 Class of temperature: T6-T4
 Protection degree: IP67
 Ambient Temp : -40/+60°C
 Zones : 1-2-21-22
 Certificate: KEMA 01 ATEX 2126

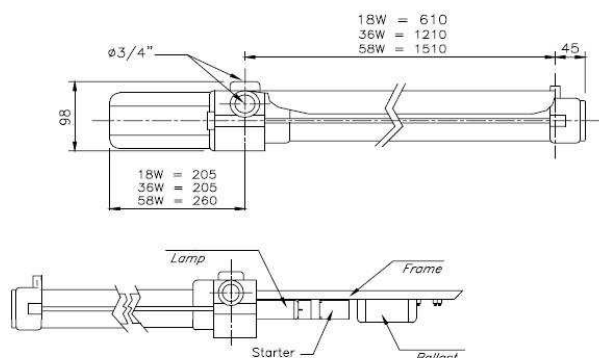
Description:

Suitable for tubular fluorescent lamps $\varnothing 26$ with double-plug connection. Enclosure in light alloy with heat resistant glass tubular protection. External bolts and screws in stainless steel. RAL 7001 high resistance external coating. Usually supplied with reactor 220V 50Hz, starter, fuses, lamp and wirings.

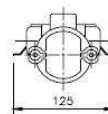
On request: Protection cage in galvanized steel wire, external reflector in polished aluminium and electronic ballast.



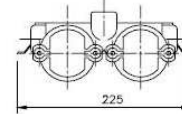
Technical drawings:



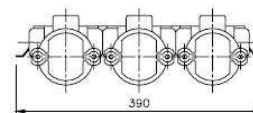
Lampe simple - Single lamp



Deux lampes - Double lamps



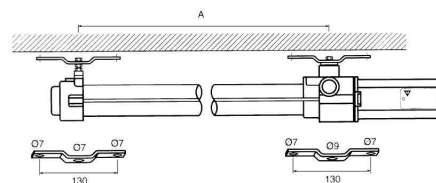
Trois lampes - Three lamps



Dimensions table:

Type	Number of lamps	Power in W	Weight (Kg)
EVF 118	1	18	3,2
EVF 218	2		6,5
EVF 318	3		9,8
EVF 136	1	36	5,2
EVF 236	2		10
EVF 336	3		15,1
EVF 158	1	58	7,3
EVF 258	2		14,3
EVF 358	3		21,2

Ceiling mounting:



Others mounting on request

EVFC: Ceiling mounting		
Type	Lamps	A (mm)
EVFC 118	1x18W	610
EVFC 218	2x18W	
EVFC 136	1x36W	1210
EVFC 236	2x36W	
EVFC 158	1x58W	1510
EVFC 258	2x58W	