



LIF-1 Incandescent Lighting fixture I M2

Protection mode:

Type of protection: 2GD M2 EEx d IIEEx d IIB/IIC
 Class of temperature: T3-T6
 Protection degree: IP66
 Ambient Temp : -20°C/+40°C (+55°C on req.)



Description:

Lighting fixtures incandescent I M2 have a bell shaped structure inlets can be placed on the upper part according to the different existing plans so as to allow electric connections or fixing of the required accessories needed for the suspension of the structure itself.

Technical data:

Threading and inlets:

GK 3/4" UNI 6125

Materials and treatments:

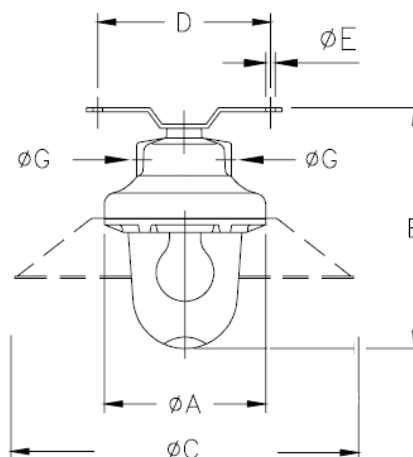
Cast iron*

*Others on request

External painting

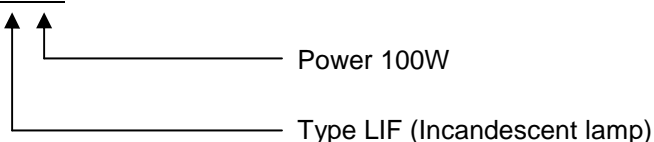
RAL 9006 or RAL 7034

Technical drawing:



Reference:

LIF-1



Dimensions :

Dimensions (mm)						Weight (kg)
A	B	C	D	E	G	
165	253	295	172	8	3/4" GK	4