



## GRP Socket outlet 16A with switch disconnector

### Protection mode:

**Type of protection:** ATEX IEC Ex II 2GD  
Ex d e IIC Txxx°C Gb  
Ex tb IIIC T80°C Db IP66

**Protection degree:** IP66

**Ambient Temp :**  
-50°C + 60°C for plug 16/32A

**Zones :** 1-2-21-22



### Description:

Sockets outlets in GRP are suitable for installation into environments under potential risk of explosion identified as Zone 1/22 and that enter into the field of application for the ATEX Directive (European Directive 94/9/CE and IECEx).

### Technical data:

<b>Rated current:</b>	16A
<b>Rated voltage:</b>	100÷690V~
<b>Frequency:</b>	50÷60Hz
<b>Insulating voltage:</b>	690V~
<b>Switch-disconnectors:</b>	COMMAND-EX
<b>16A-32A-63A-125A</b>	Series CZ0513
<b>Maximum permissible surface T° (DUST):</b>	T80°C / T90°C

<b>Temperature class (GAS):</b>	T4/T5
<b>Impact Resistance:</b>	7J
<b>Material</b>	GRP
<b>Sockets colour:</b>	Black RAL9005
<b>Plugs material:</b>	PA6 - Dissipative
<b>Plugs colour:</b>	Black RAL9011

### References :



MODEL 16A	Poles	Hz	Volt	h.	Socket female	Plug male
PSC16_2PT230	2P+E	50/60	200-250	6	504.1683	219.1633
PSC16_3PT380	3P+E	50/60	380-415	6	504.1686	219.1636
PSC16_3PNT380	3P+N+E	50/60	346-415	6	504.1687	219.1637

Cable gland 10/40

Other models of on request



## GRP Socket outlet 16A with switch discontactor

### Cross sectional areas conductors and torque

TERMINALS CONTACTS - TORQUE		
ADVANCE GRP[GD] – In	Cross Sectional Areas Conductors	Tightening Torque - (Nm)
16/32A	Cross sectional areas 10mm <sup>2</sup> finely stranded	0,8
	16mm <sup>2</sup> single wire	0,8

### Earth terminals

EARTH TERMINALS CONTACTS - TORQUE		
Type	Cross Sectional Areas Conductors	Tightening Torque - (Nm)
16/32A	10/16mm <sup>2</sup>	1,2

### Technical features

PLUG SERIES - OPTIMAEX	Unit		Value
Rated current			16A
Code			219.16..
Suitable size cables Ground terminals	(mm <sup>2</sup> )		4
Power supply terminals - Tightening - Torque	(Nm)		1
Cable size accepted by Cable-Clamp (eg.H07RN-F)	(mm)	2P+E	6-15
		3P+E	6-15
		3P+N+E	9-20
Cable gland / cable clamp Tightening - Torque	(Nm)	2P+E	5,6
		3P+E	
		3P+N+E	
Cable gland / Cable clamp (screw) - Tightening - Torque	(Nm)		0,8
Handle screws - Tightening - Torque	(Nm)		1

### Socket accessories :

Earth stud : 644.E650

### Plug cover

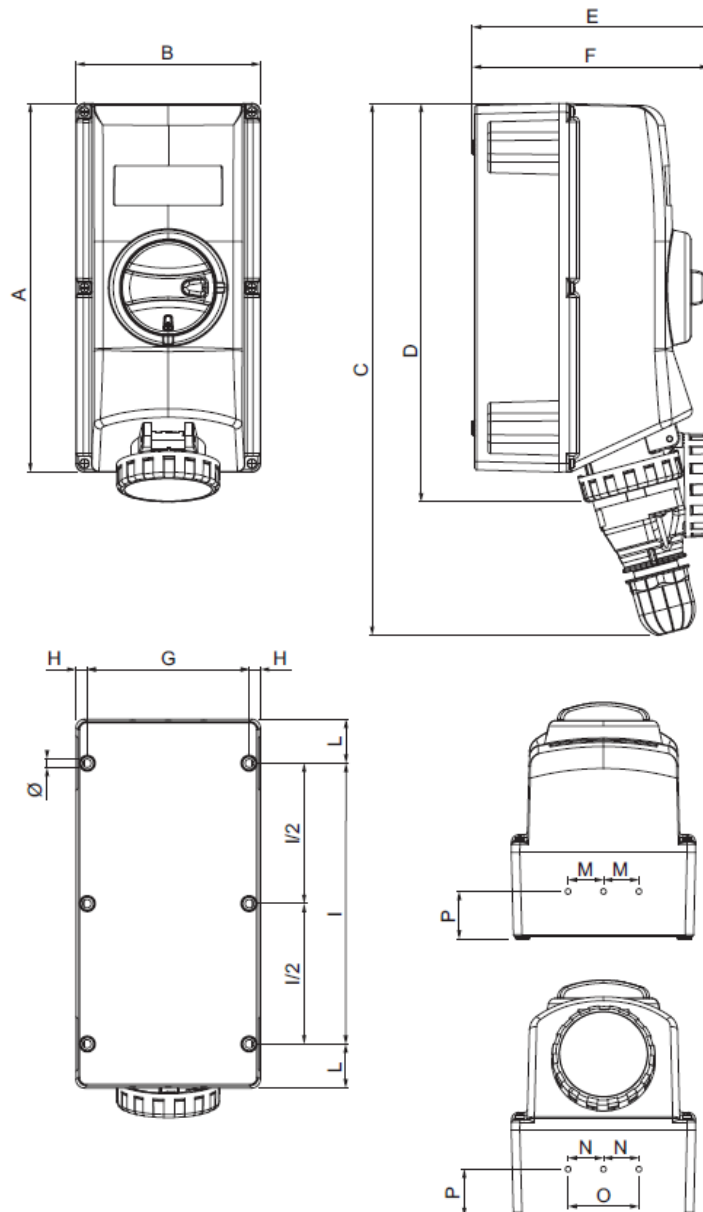


16A-20A	2P+E	10/100	570.90163
	3P+E		570.90164
	3P+N+E		570.90165



## GRP Socket outlet 16A with switch discontactor

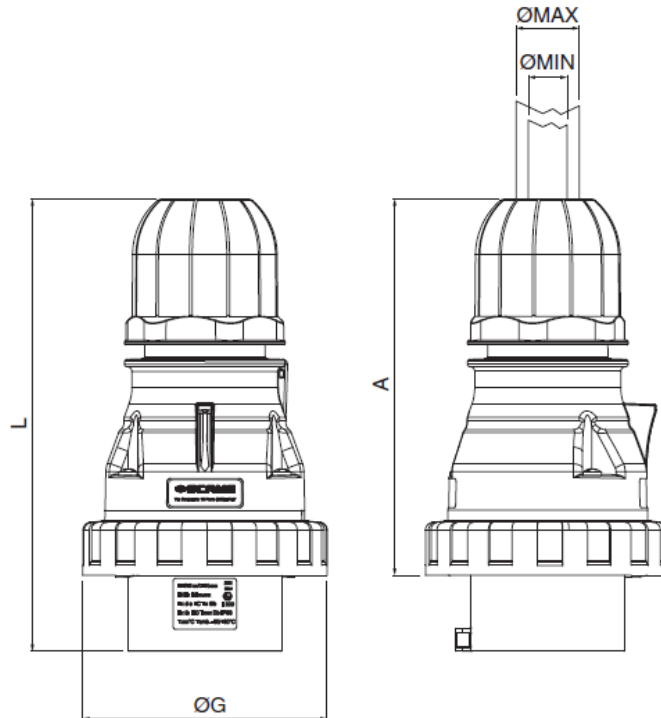
### Technical drawings:



16A MODEL																
TYPE	A	B	C min	D	E	F	G	H	Ø	I	1/2	L	M	N	O	P
2P+E	260	130	370	280	170	166,8	114,5	7,75	6	198	NA	31	25	25	NA	33,5
3P+E	260	130	375	282	175	166,8	114,5	7,75	6	198	NA	31	25	25	NA	33,5
3P+N+E	260	130	393	282	182	166,8	114,5	7,75	6	198	NA	31	25	25	NA	33,5



## GRP Socket outlet 16A with switch discontactor



IP66	TYPE	A Min	ØG	L Min	Ø Min	Ø Max
16A	2P+E	116	73	140,5	6	15
	3P+E	123	81	147,5	6	15
	3P+N+E	140,5	88	165	9	20