



GRP Socket outlet 63A with switch discontactor

Protection mode:

Type of protection: ATEX IEC Ex II 2GD
Ex d e IIC Txxx°C Gb
Ex tb IIIC T80°C Db IP66

Protection degree: IP66

Ambient Temp :
-35°C + 60°C for plug 63/125A

Zones : 1-2-21-22



Description:

Sockets outlets in GRP are suitable for installation into environments under potential risk of explosion identified as Zone 1/22 and that enter into the field of application for the ATEX Directive (European Directive 94/9/CE and IECEx).

Technical data:

Rated current:	63A
Rated voltage:	100÷690V~
Frequency:	50÷60Hz
Insulating voltage:	690V~
Switch-disconnectors:	COMMAND-EX
16A-32A-63A-125A	Series CZ0513
Maximum permissible surface T° (DUST):	T80°C / T90°C

Temperature class (GAS):	T4/T5
Impact Resistance:	7J
Material	GRP
Sockets colour:	Black RAL9005
Plugs material:	PA6 - Dissipative
Plugs colour:	Black RAL9011

References :



MODEL 63A	Poles	Hz	Volt	h.	Socket female	Plug male
PSC63_3PT380	3P+E	50/60	380-415	6	504.6386	219.6336
PSC63_3PNT380	3P+N+E	50/60	346-415	6	504.6387	219.63 37

Cable gland 10/40

Other models of on request



GRP Socket outlet 63A with switch discontactor

Cross sectional areas conductors and torque

TERMINALS CONTACTS - TORQUE		
ADVANCE GRP[GD] – In	Cross Sectional Areas Conductors	Tightening Torque - (Nm)
63A	25mm ² finely stranded	2,5
	35mm ² single wire	2,5

Earth terminals

EARTH TERMINALS CONTACTS - TORQUE		
Type	Cross Sectional Areas Conductors	Tightening Torque - (Nm)
63A	Weidmuller Ex e terminal type WPE35 35mm ²	3,5

Technical features

PLUG SERIES - OPTIMAEX	Unit		Value
Rated current			63A
Code			219.63..
Suitable size cables Ground terminals	(mm ²)		10-16
Power supply terminals - Tightening - Torque	(Nm)		2
Cable size accepted by Cable-Clamp (eg.H07RN-F)	(mm)	2P+E	17-33
		3P+E	
		3P+N+E	
Cable gland / cable clamp Tightening - Torque	(Nm)	2P+E	9
		3P+E	
		3P+N+E	
Cable gland / Cable clamp (screw) - Tightening - Torque	(Nm)		0,8
Handle screws - Tightening - Torque	(Nm)		1.2

Socket accessories :

Earth stud : 644.E650



Plug cover

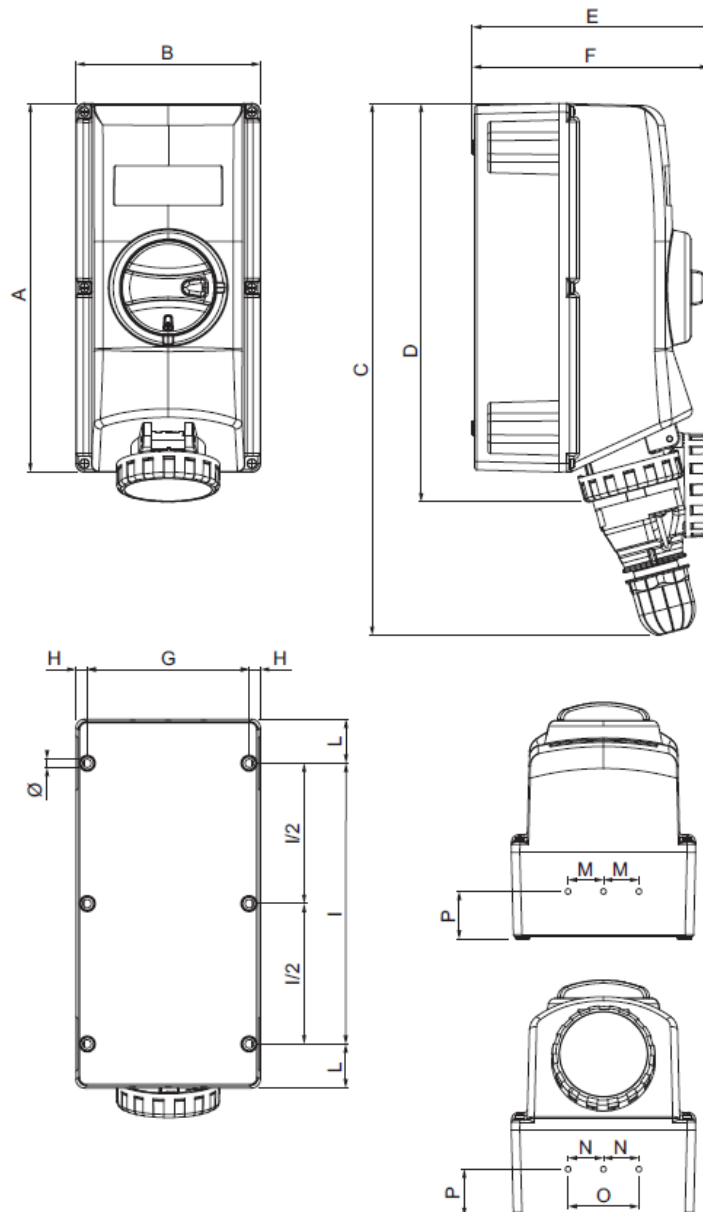


63A-60A	2P+E	10/100	570.9063
	3P+E		
	3P+N+E		



GRP Socket outlet 63A with switch discontactor

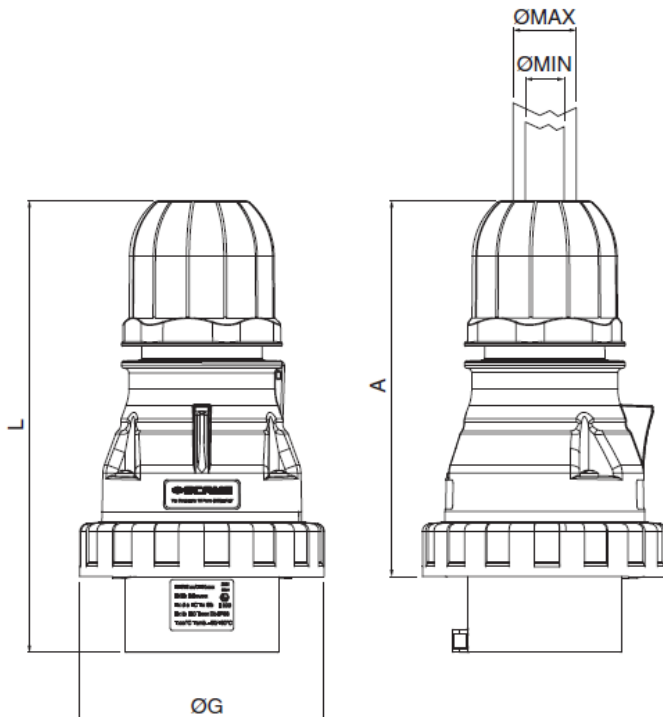
Technical drawing:



63A MODEL																
TYPE	A	B	C min	D	E	F	G	H	Ø	I	1/2	L	M	N	O	P
3P+E	380	170	550	420	225	205,8	150	8,3	7	310	NA	35	32,5	32,5	NA	40
3P+N+E	380	170	550	420	225	205,8	150	8,3	7	310	NA	35	32,5	32,5	NA	40



GRP Socket outlet 63A with switch discontactor



IP66	TYPE	A Min	ØG	L Min	Ø Min	Ø Max
63A	3P+E	166,5	112	217,5	17	33
	3P+N+E	166,5	112	217,5	17	33