



## RTFI206CTM1600 ATEX Iridium Satellite Antenna

### Mode of protection:

Type of protection: II 2G Ex d IIB  
 Class of temperature: T5  
 Ambient temp: -20/+40°C  
 Zones: 1-2

### Description:

The CTM-Series of antennas are designed for use in "Hazardous-Classified" and Industrial-Hardened applications. The antennas are omni-directional with 2.8 dBic gain and designed for flexible mounting with an M20 thread. The mounting base is made of heavy nickel-plated brass with an integrated TNC coaxial connector for ease of installation. The radome is optimized for rugged industrial applications while maintaining maximum radio frequency transmission and reception efficiency. Unarmoured cable gland M20 kit (seals 5.5/8 - 8/10.5 - 10.5/13mm).

Enclosure and cable gland body in stainless steel AISI316L



### References:

RTFI206 CTM1600 – 0



### Length of cable

0 : without cable  
 5 : 5 meters of cable  
 10 : 10 meters of cable  
 Other length on request

### Antenna

Iridium Satellite 1616MHz to 1626MHz

### Enclosure model

RTFI206

### RTFI206CTM1600

Iridium Satellite 1616MHz to 1626MHz)

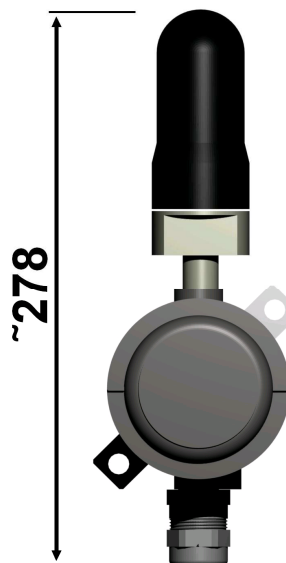
### Approx height (mm):

### Others models on request :

- [RTFI206CTM2400](#) 2.4 GHz
- [RTFI206CTM5000](#) 5.0 GHz
- [RTFI206CTM401](#) 450MHz to 470MHz
- [RTFI206CTM1500](#) 1,575.42MHz
- [RTFI206CTM900](#) 902-928MHz
- [RTFI206CTM801](#) Dual band 801-940 MHz & 1901-2000 MHz

### Antenna technicals data :

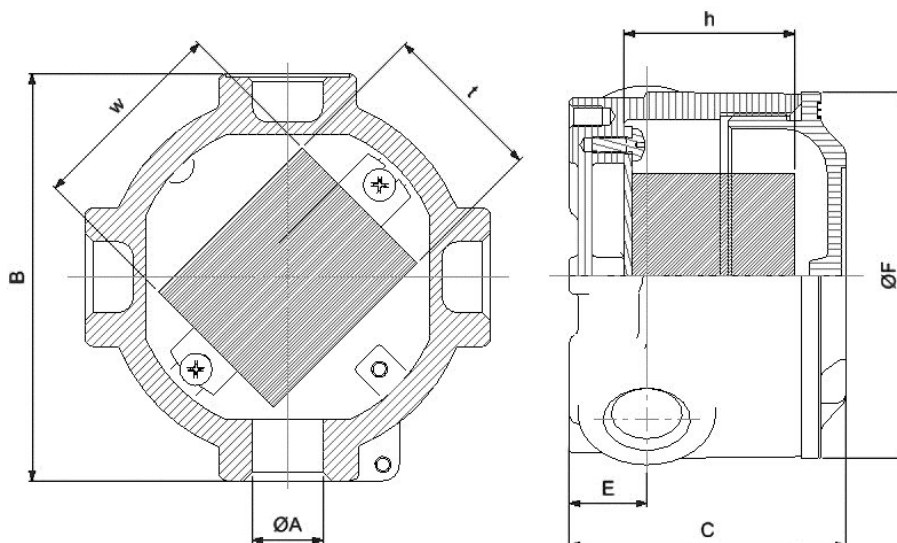
1600 MHz (Iridium Satellite 1616MHz to 1626MHz)  
 Impedance: 50Ω  
 VSWR: 1.5 (max)  
 Polarisation: RHCP  
 Gain: 2.8 dBic  
 Maximum power: 2 Watts  
 Connector type: TNC female  
 Mounting base: 3/4" NPT  
 Impact rating: 7 joules  
 Weight: 1.06 lbs., 0.48 kg  
 Maximum length including TNC connector: 5.85", 148.6mm, Max.  
 diameter 2.02", 51.3mm





## RTFI206CTM1600 ATEX Iridium Satellite Antenna

Drawing:



Enclosure dimensions	ØA	Dimensions externe (mm)					Dimensions interne (mm)			Volume elec. (dm <sup>3</sup> )	Poids (kg)
		External dimensions (mm)					Internal dimensions (mm)				Weight (kg)
		B	C	D	E	F	h	w	t		
RTFI206CTM1600	M20	100	68	9.5	22.5	22.5	40	50	35	0.070	1.25



Fixation	Dimensions (mm)						Poids (kg)
Bracket	A	B	C	D	E	F	Weight (kg)
KF6S	126	18	3	6.5	10	108	50

Example with furniture cable

