



RTFI206CTM800 & SFC16CTM801 ATEX GPRS Antenna

Mode of protection:

Type of protection: II 2G Ex d IIB
Class of temperature: T6
Ambiant temp: -20/+40°C
Zones: 1-2

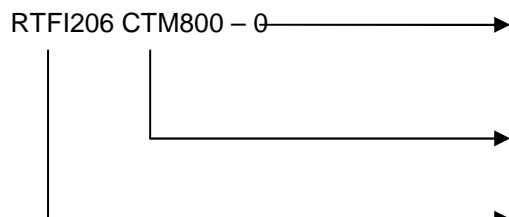
Description:

The CTM-Series of antennas are designed for use in "Hazardous-Classified" and Industrial-Hardened applications. The antennas are omni-directional with 2.0 dBi gain and designed for flexible mounting with an M20 thread. The mounting base is made of heavy nickel-plated brass with an integrated TNC coaxial connector for ease of installation. The radome is optimized for rugged industrial applications while maintaining maximum radio frequency transmission and reception efficiency. Unarmoured cable gland M20 kit (seals 5.5/8 - 8/10.5 - 10.5/13mm).

Enclosure and cable gland body in stainless steel AISI316L



References:



Length of cable

0 : without cable
5 : 5 meters of cable
10 : 10 meters of cable
Other length on request

Antenna

Dual band 824-896 MHz & 1850-1990 MHz

Enclosure model

RTFI206

RTFI206CTM800

Dual band 824-896 MHz & 1850-1990 MHz

RTFI206CTM801

Dual band 801-940 MHz & 1901-2000 MHz

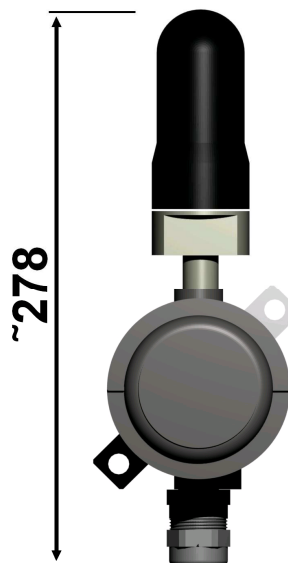
Other models on request:

RTFI206CTM2400 2.4 GHz
RTFI206CTM5000 5.0 GHz
RTFI206CTM401 450MHz to 470MHz
RTFI206CTM1500 1,575.42MHz
RTFI206CTM900 902-928MHz

Antenna technicals data :

- Dual band AMPS 824 ~ 896 MHz & PCS (GPRS) 1850~1990 MHz
- UL listed & ATEX certified
- Internal seal fitting
- Custom frequencies available
- TNC connector
- Mounting: 20mm (M20) thread
- Rugged Nickel Plated Brass mounting base

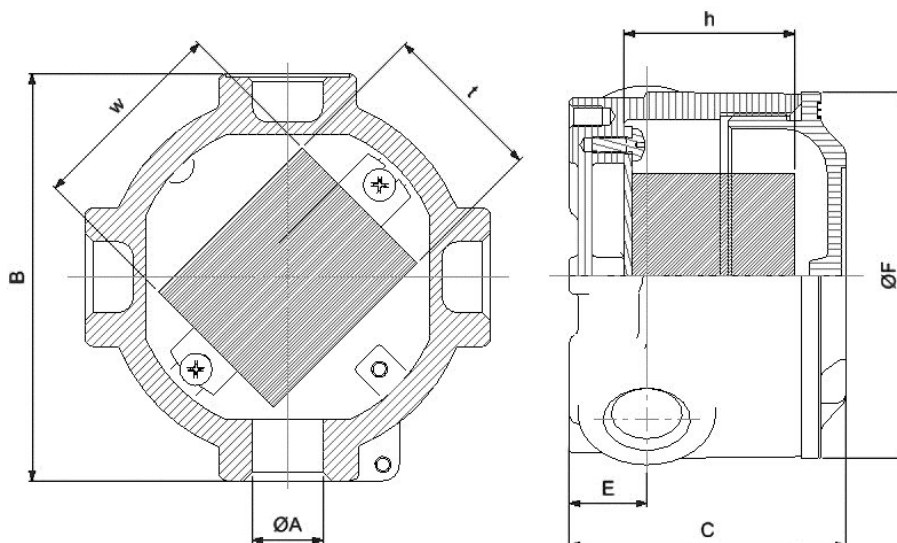
Approx height (mm):





RTFI206CTM800 & SFC16CTM801 ATEX GPRS Antenna

Drawing:



Enclosure dimensions	ØA	Dimensions externe (mm)					Dimensions interne (mm)			Volume elec. (dm ³)	Poids (kg)
		External dimensions (mm)					Internal dimensions (mm)				Weight (kg)
		B	C	D	E	F	h	w	t		
RTFI206CTM800 RTFI206CTM801	M20	100	68	9.5	22.5	22.5	40	50	35	0.070	1.25



Fixation	Dimensions (mm)						Poids (kg)
Bracket	A	B	C	D	E	F	Weight (kg)
KF6S	126	18	3	6.5	10	108	50

Example with furniture cable

