



## SE. ATEX Suspension boxes

### Protection mode:

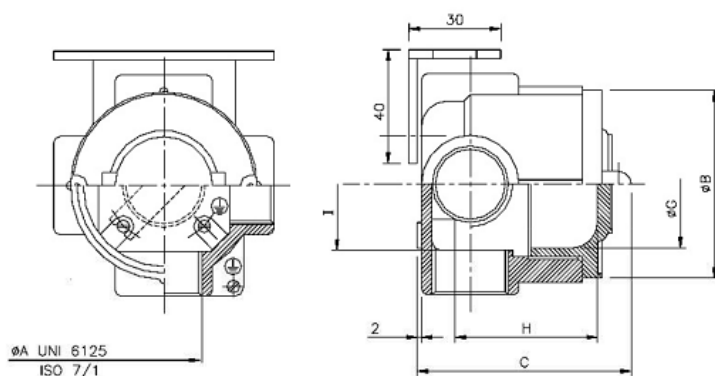
Type of protection: II 2GD EEx d IIC / Ex td A21  
 Class of temperature: T6-T4  
 Protection degree: IP66  
 Ambient Temp : -20 / +40°C  
 Zones : 1-2-21-22



### Description:

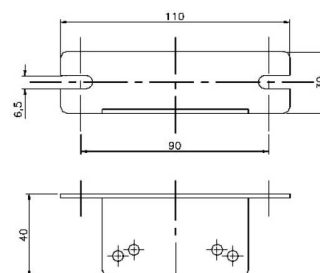
The junction boxes series SE are particularly suitable for suspension of lighting armatures, they are supplied with fixing bracket that allows the installation to ceiling.

### Technical drawing:



### Fixing bracket:

(AISI316L Stainless steel)



### Dimensions table:

Schema Diagram	SF				SL				ST				Elec. App.	Poids (g) Weight(g)
	External dimensions		internal dimensions		External dimensions		internal dimensions		H	I				
Code	øA	B	C	D	M	E	F	G	H	I				
S..24	3/4"	70	77	40	105	20	9	51	49	51		320		
S..26	3/4"	90	78	50	126	20	9	70	49	70		440		
S..36	1"	90	86	50	126	23	8	70	57	70		480		
S..57	3/4"-1.1/2"	130	113	69	161	32	14	103	80	98		1190		
S..69	1" - 2"	145	125	75	176	36	14	118	90	112		1410		

Others size and holes on request