



SFC16CTM900 – ATEX GSM Antenna

Mode of protection:

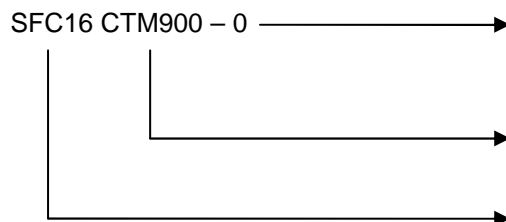
Type of protection: II 2G Ex d IIB
 Class of temperature: T6
 Ambient temp: -20/+40°C
 Zones: 1-2

Description:

The CTM-Series of antennas are designed for use in “Hazardous-Classified” and Industrial-Hardened applications. The antennas are omni-directional with 2.0 dBi gain and designed for flexible mounting with an M20 thread. The mounting base is made of heavy nickel-plated brass with an integrated TNC coaxial connector for ease of installation. The radome is optimized for rugged industrial applications while maintaining maximum radio frequency transmission and reception efficiency. Unarmoured cable gland M20 kit in nickel plated brass (seals 5.5/8 - 8/10.5 - 10.5/13mm).



References:



Length of cable

0 : without cable
 5 : 5 meters of cable
 10 : 10 meters of cable

Antenna

902-928MHz

Enclosure model

SFC16

SFC16CTM900 902-928MHz

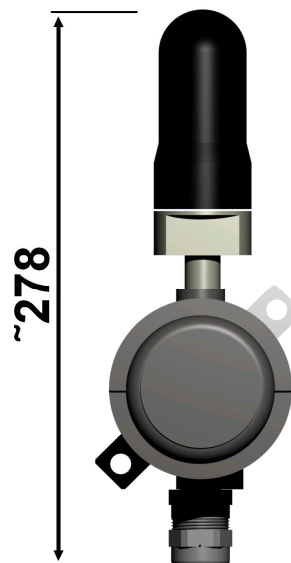
Approx height (mm):

Other models on request:

SFC16CTM800 Dual band 824-896 MHz & 1850-1990 MHz
SFC16CTM801 Dual band 801-940 MHz & 1901-2000 MHz
SFC16CTM2400 2.4 GHz
SFC16CTM5000 5.0 GHz
SFC16CTM401 450MHz to 470MHz
SFC16CTM1500 1,575.42MHz

Antenna technicals data :

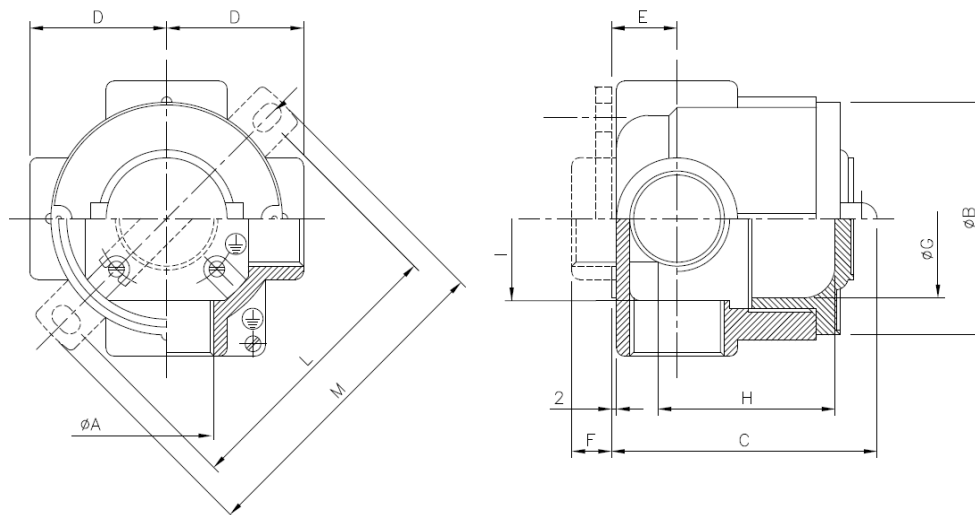
- Frequencies: 902-928MHz
- UL listed & ATEX certified
- Internal seal fitting
- Custom frequencies available
- TNC connector
- Mounting: 20mm (M20) thread
- Rugged Nickel Plated Brass mounting base





SFC16CTM900 – ATEX GSM Antenna

Drawing:



Enclosure dimensions	øA	Dimensions externe (mm)					Dimensions interne (mm)			Fixation		Poids (g)
		External dimensions (mm)					Internal dimensions (mm)			Brackets		Weight (g)
		B	C	D	E	F	G	H	I	L	M	
SFC16CTM900	M20	90	78	50	20	8	70	49	70	108	126	440

Example with furniture cable

