



## S. Enclosure for control

### Protection mode:

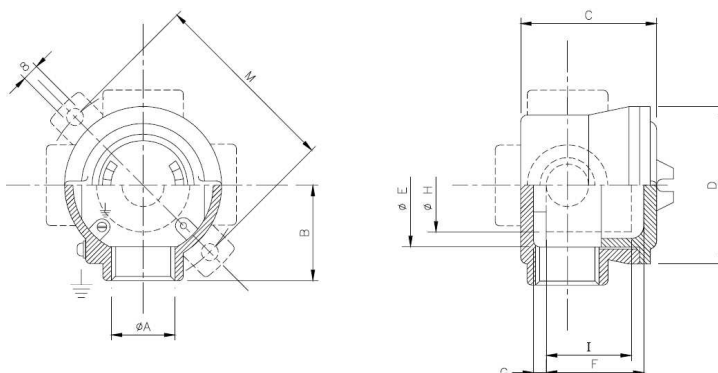
Type of protection: II 2GD EEx d IIC / Ex td A21  
 Class of temperature: T6-T4  
 Protection degree: IP66  
 Ambient Temp : -20 / +40°C  
 Zones : 1-2-21-22



### Description:

Enclosure in light alloy suitable for containing the electrical, electronic apparatuses of command, control, measure and regulation.  
 External bolts and screws in stainless steel and RAL7000 external epoxyvinyl coating.

### Technical drawing:



### Dimensions table:

Schema Diagram											
	Code	øA	Dimensions externe			Dimensions interne			Elec. App.		Poids (g)
		External dimensions				internal dimensions			H	I	Weight(g)
		B	C	D	M	E	F	G			
S..14	1/2"	40	61	70	87	50	47	8	45	45	310
S..24	3/4"	40	61	70	87	50	47	8	45	45	265
S..26	3/4"	50	66	90	108	70	47	8	65	45	420
S..36	1"	50	73	90	108	70	57	8	65	55	450
S..57	3/4"-1.1/2"	69	93	130	-	100	78	8	96	76	1090
S..69	1" - 2"	75	104	145	-	112	91	9	106	89	1400